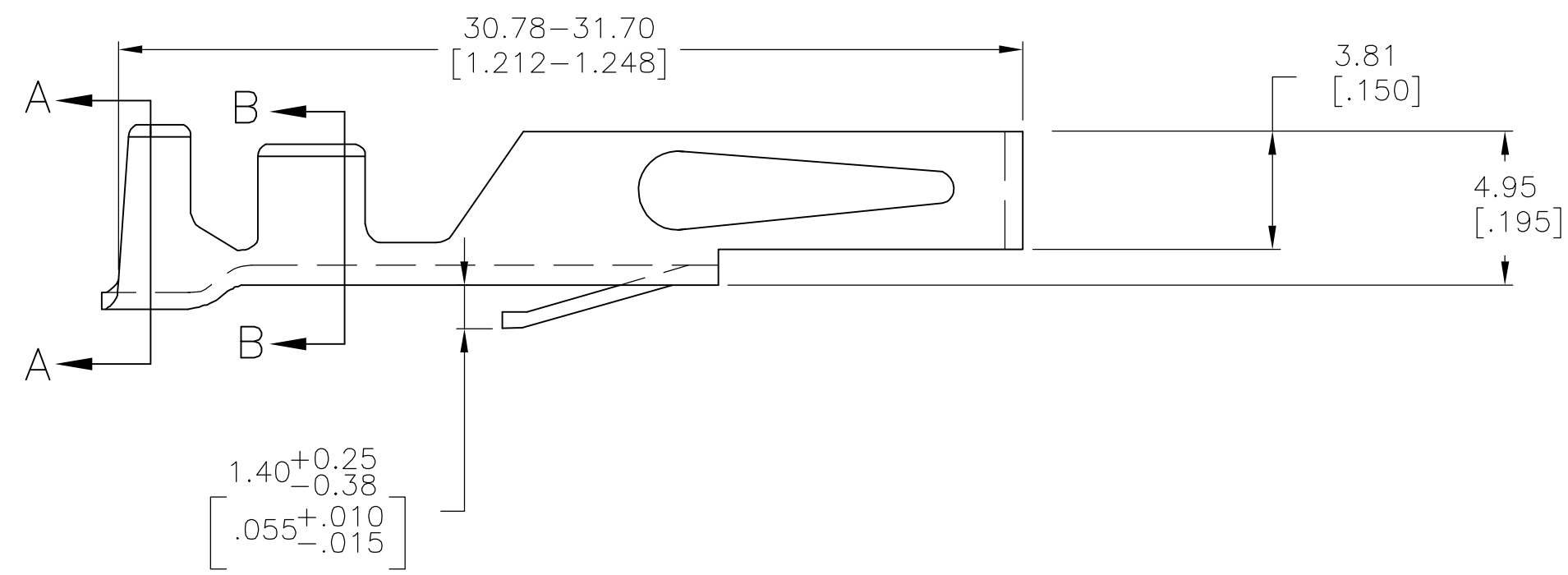
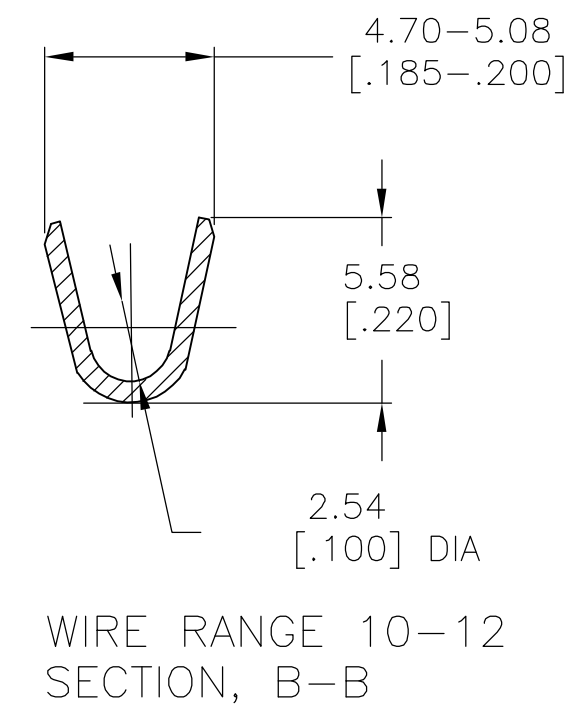
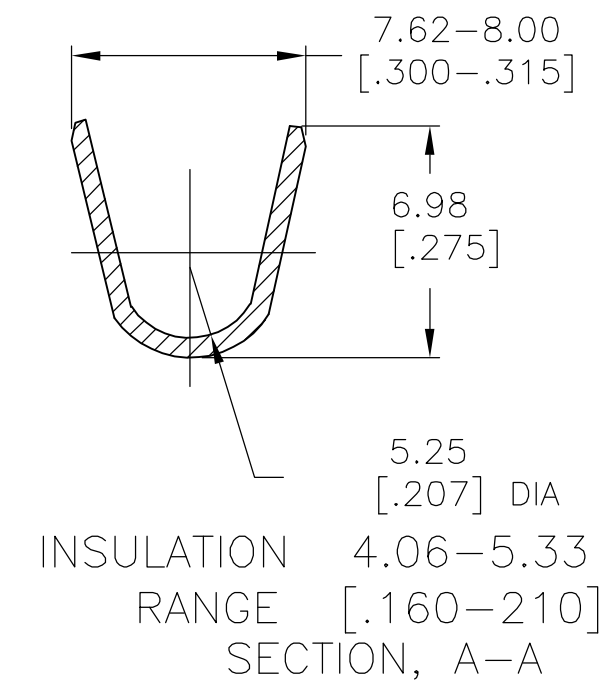
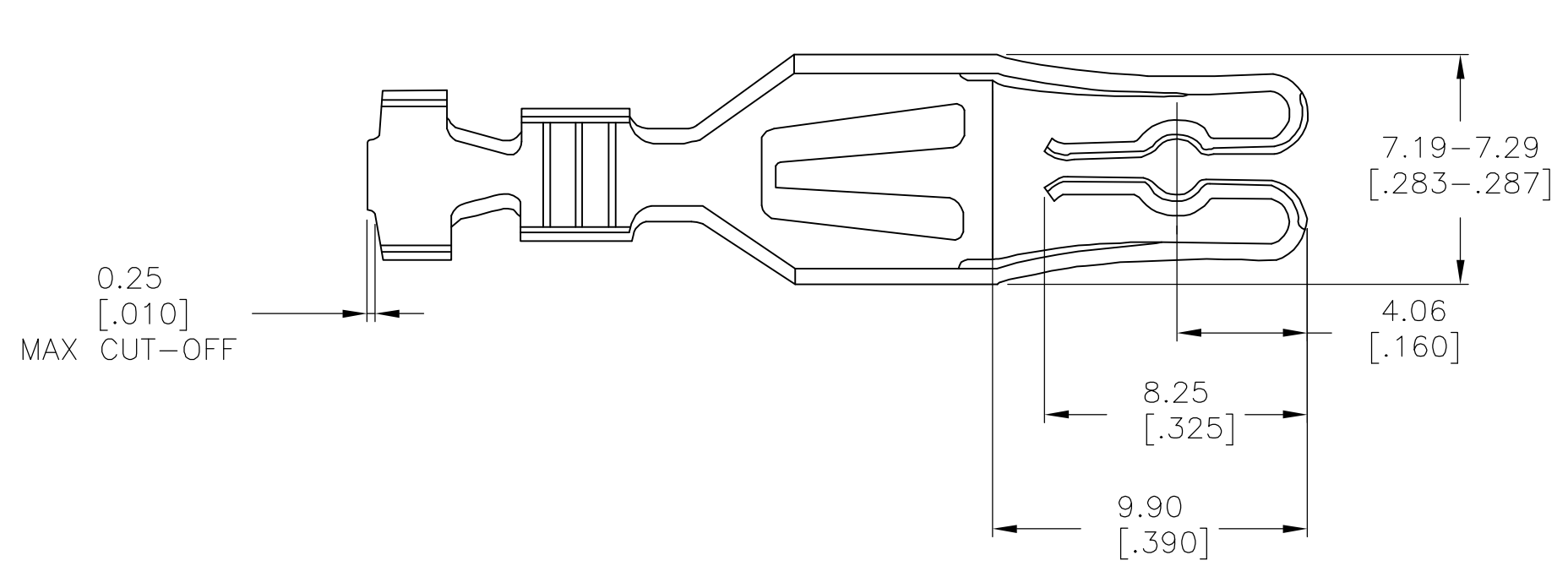


THIS DRAWING IS UNPUBLISHED. RELEASED FOR PUBLICATION
 © COPYRIGHT BY TYCO ELECTRONICS CORPORATION. ALL RIGHTS RESERVED.

LOC		DIST		REVISIONS			
P	LTR	DESCRIPTION		DATE	DWN	APVD	
E		EC OG3C 0067 05		25NOV05	BSV	MM	



- 1 0.0038[.000150] BRIGHT TIN OVER 0.00076[.000030] NICKEL
- 2 0.0038[.000150] MATTE TIN OVER 0.00076[.000030] NICKEL

2	5-530520-1
1	530520-1
FINISH	PART NO

THIS DRAWING IS A CONTROLLED DOCUMENT.		DWN	15 MAY 75	Tyco Electronics Corporation Harrisburg, Pa 17105-3608
DIMENSIONS: mm [INCHES]		CHK	15 MAY 75	
TOLERANCES UNLESS OTHERWISE SPECIFIED:		APVD	16 MAY 75	
0 PLC ± -		PRODUCT SPEC		NAME LOOSE PIECE CONTACT HIGH CURRENT 10-12 AWG
1 PLC ± -		APPLICATION SPEC		
2 PLC ± -		WEIGHT		
3 PLC ± .005		SCALE		
4 PLC ± -		SHEET		
ANGLES ± -	FINISH		RESTRICTED TO	
MATERIAL ALLOY CDA-195 1/2 HARD		1		SIZE
		CUSTOMER DRAWING		CAGE CODE
				DRAWING NO
				530520
				REV
				E

530520